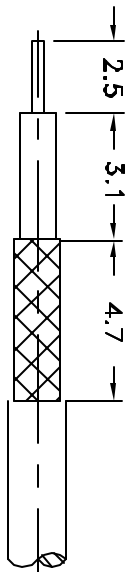
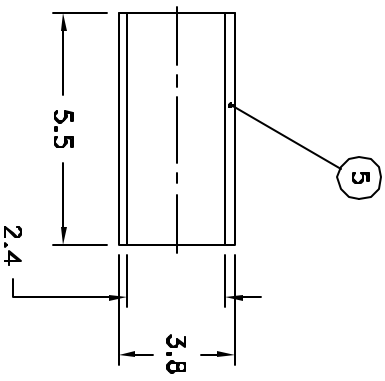
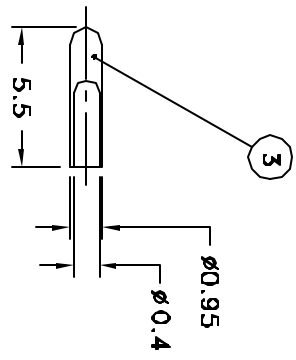
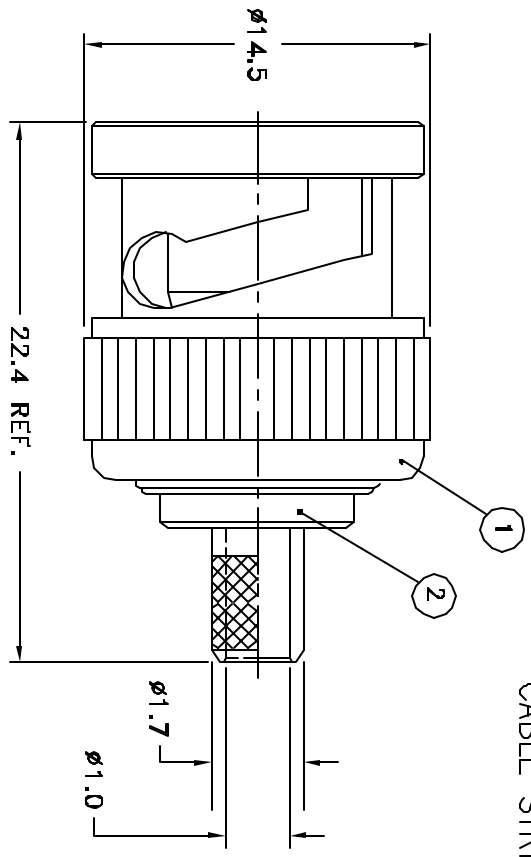


REVISIONS		DWG. NO.	REV.
ZONE	LTR	DESCRIPTION	DATE
			APPROVED



RECOMMENDED
CABLE STRIPPING DIM'S



DESCRIPTION	MATERIAL	FINISH	QTY	DIMENSIONS ARE IN MILLIMETERS UNLESS OTHERWISE SPECIFIED TOLERANCES ARE:	APPROVALS	DATE	TITLE	SIZE	FSCN NO.	DWG. NO.	SHEET	REV.
1 SHELL	DIECAST	NICKEL	1	0.5-8 = ± 0.2	DRAWN	12/1/95	BNC CRIMP PLUG RG 178 & 196/U	A	99001	112516.DWG	1	
2 BODY	BRASS	NICKEL	1	8-30 = ± 0.4	CHECKED							
3 CONTACT PIN PHOS. BRONZE	BRASS	GOLD	1	30-120 = ± 0.8	ISSUED							
4 INSULATOR	DELTRIN	NATURAL	1	120-315 = ± 1								
5 FERRULE	BRASS	GOLD	1	315-1000 = ± 1.6 1000-2000 = ± 2.4								
					DO NOT SCALE DRAWING							



BNC CRIMP PLUG RG 178 & 196/U

SCALE 3.5:1 PART NO. 112516 SHEET 1 OF 1